

# Large offset wheel trencher for the mechanical laying of networks



## GD2

**Simultaneous performance of trenches and mechanical laying for the deployment of networks (telecom, electricity, drainage, water, sanitation, gas, etc.) in rural environments**



### Process

- Tangentially driven trenching wheel designed by Marais

### Specific features

- Cutting outside the overall sizes of the machine. Mass transfer on opposite track: 800 mm
- Constant and reduced width of the trench  
Constant building cost per meter
- Non-stop shielding of the cut trench: the laying unit.
  - ♦ Preservation of the geometric data of the cut trench.
  - ♦ Compliance with the bending radius of the cables and the ducts
- Quality of the trench bottom: the shoe
  - ♦ smooth clean and compact trench bottom without any salient angle
- Network laying quality
  - ♦ Constant depth,
  - ♦ Constant altimetry and planimetry of the laid network

### Assets

- Cutting of different grounds,
- Cutting configuration along roads in ditch bottom, behind safety barriers
- Reduction in building costs

### Output

From 300 to 2000 ml per day depending on the grounds, sections of trenches and nature of the network to be laid.





## Features of the trenching tool

- Marais tangentially driven trenching wheel

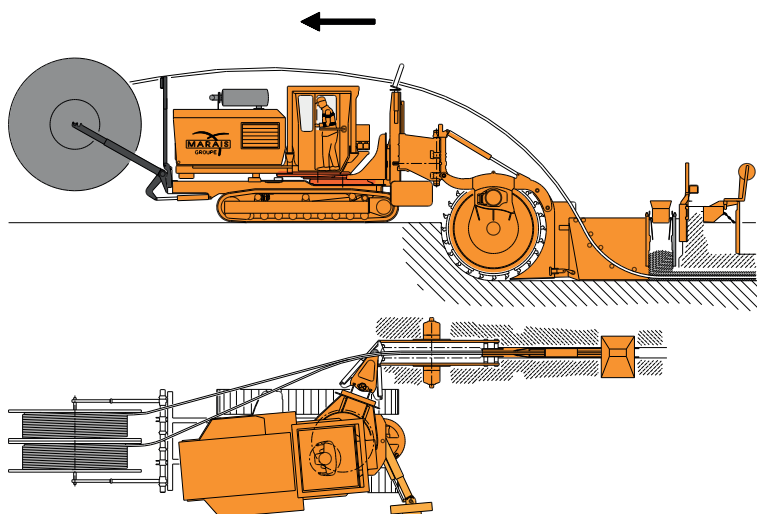
Type of wheel	Cutting width (mm)	Trench depth (m)
R1200E	180 to 250	1.20
R1200	280 to 350	1.20
R1400E	180 to 250	1.40
R1400	250 to 480	1.40

- Trenching wheel mounted on 5-axis stem
- Lateral offset of the tool outside the machine: 800 mm on the left and right side
- Cutting tool mounted on pivot  $\pm 57^\circ$
- Slope correction of the tool  $\pm 20^\circ$

## Sizes and weight of the unit

- Length in working position: approx. 15 m (with reel and fiber laying unit)
- Length in transport position: 11 m
- Width: 2.50 m
- Height: 3.30 m
- Weight: 30 tons

## Technical diagram



## Carrier

- Carrier with caterpillar
- 475 HP (350 kW) diesel engine phase IIIb Tier 4i
- 475 HP (350 kW) diesel engine phase 3a
- Hydrostatic advance

## Accessories

- Radio control (option)
- Reel carrier in front of the machine (capacity: 5 tons maximum)
- Removable guardrails on the machine
- Laying units
- Coating materials of networks: sand sprayer, concrete hopper with vibrating unit, excavated material screen, backfiller
- Combs and guide rollers

GD2\_01/19\_EN - Specifications as shown are not binding to the manufacturer and may be changed without prior notice. The equipment offered in this leaflet can include optional fittings and devices.

Non-contractual pictures



[www.samarais.com](http://www.samarais.com)

ZA Les Portes de l'Anjou  
 1, rue Pierre et Marie CURIE BP 20 - 49430 DURTAL (France)  
 Tél. : 33 (0)2 41 96 16 90 / Fax : 33 (0)2 41 96 16 99  
 e-mail : [info@samarais.com](mailto:info@samarais.com)